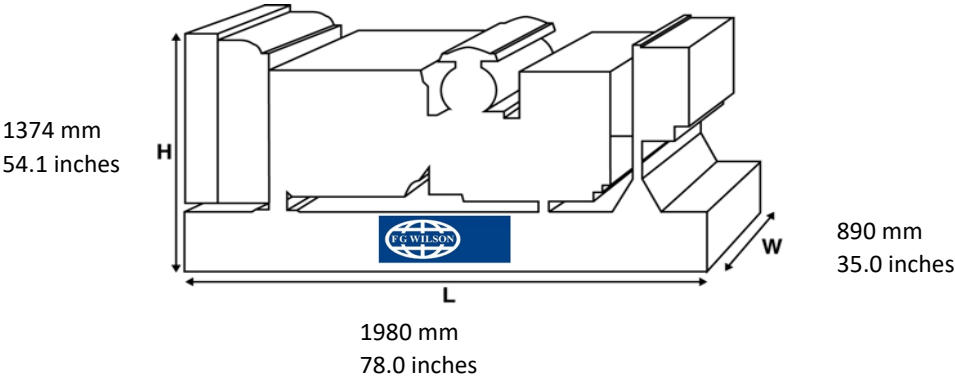


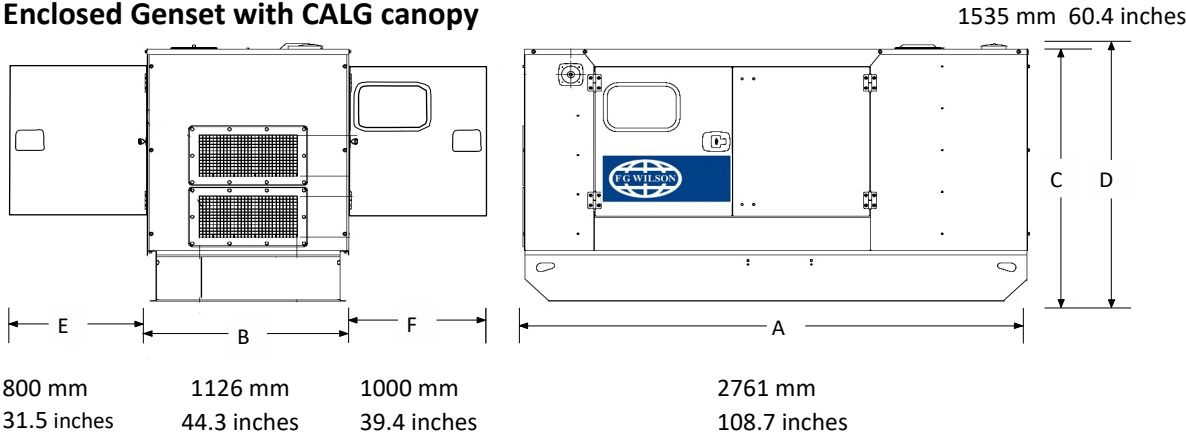
FG Wilson P110-3

Open Genset



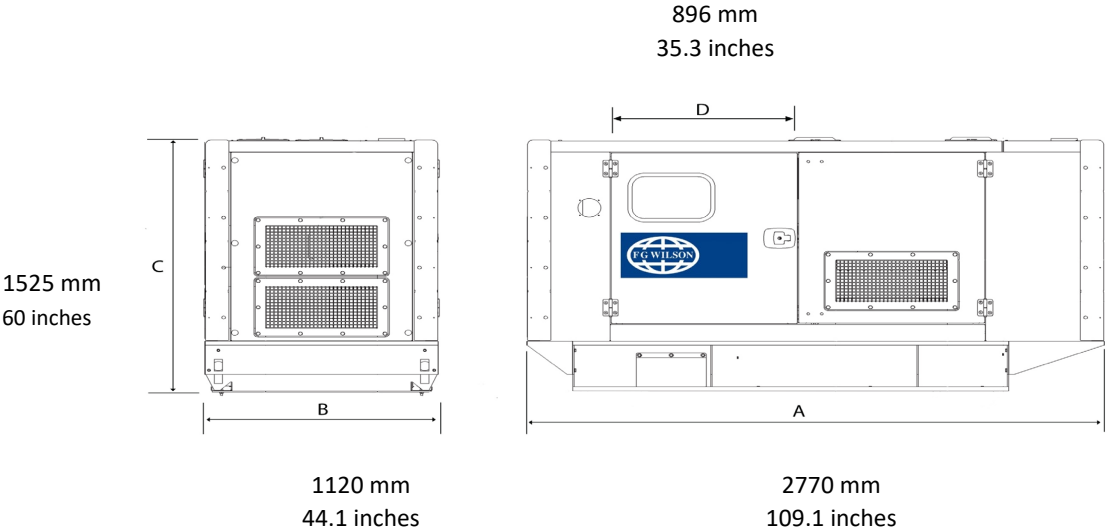
Weight with lube oil and coolant (no fuel) 1132 kg 2496 lb

Enclosed Genset with CALG canopy



Weight with lube oil and coolant (no fuel) 1400 kg 3087 lb

Enclosed Genset with CAE canopy



Weight with lube oil and coolant (no fuel) 1547 kg 3411 lb