



www.FGWilson.com

# P200-3

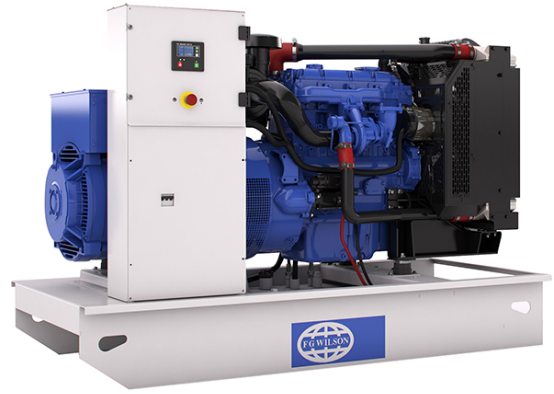


Image for illustration purposes only.

## Output Ratings

Voltage, Frequency	Prime	Standby
400V, 50 Hz	180.0 kVA / 144.0 kW	200.0 kVA / 160.0 kW
480V, 60 Hz	200.0 kVA / 160.0 kW	218.8 kVA / 175.0 kW

Ratings at 0.8 power factor.

Please refer to the output ratings technical data section for specific generator set outputs per voltage.

## Prime Rating

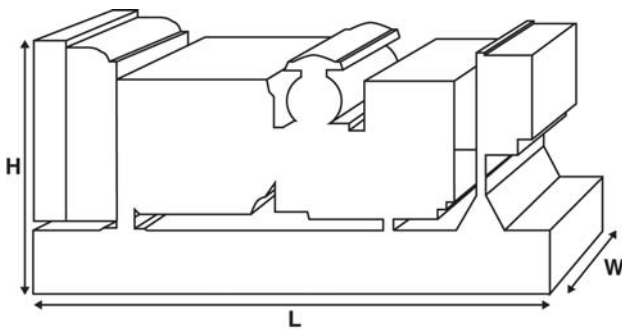
These ratings are applicable for supplying continuous electrical power (at variable load) in lieu of commercially purchased power. There is no limitation to the annual hours of operation and this model can supply 10% overload power for 1 hour in 12 hours.

## Standby Rating

These ratings are applicable for supplying continuous electrical power (at variable load) in the event of a utility power failure. No overload is permitted on these ratings. The alternator on this model is peak continuous rated (as defined in ISO 8528-3).

## Standard Reference Conditions

Note: Standard reference conditions 25°C (77°F) Air Inlet Temp, 100m (328 ft) A.S.L. 30% relative humidity.  
Fuel consumption data at full load with diesel fuel with specific gravity of 0.85 and conforming to BS2869: 1998, Class A2.



## Ratings and Performance Data

Engine Make & Model:	Perkins 1106A-70TAG3	
Alternator manufactured for FG Wilson by:	Marelli	
Alternator Model:	MJB 250 MB4	
Control Panel:	DCP-10	
Base Frame:	Heavy Duty Fabricated Steel	
Circuit Breaker Type:	3 Pole MCCB	
Frequency:	50 Hz	60 Hz
Engine Speed: rpm	1500	1800
Fuel Tank Capacity: litres (US gal)	394 (104.1)	
Fuel Consumption: l/hr (US gal/hr) (100% Load)	- Prime	39.8 (10.5) 46.5 (12.3)
	- Standby	43.2 (11.4) 50.6 (13.4)

## Available Options

FG Wilson offer a range of optional features to tailor our generator sets to meet your power needs. Options include:

- Upgrade to CE Certification
- A wide range of Sound Attenuated Enclosures
- A variety of generator set control and synchronising panels
- Additional alarms and shutdowns
- A selection of exhaust silencer noise levels

For further information on all of the standard and optional features accompanying this product please contact your local Dealer or visit: [www.FGWilson.com](http://www.FGWilson.com)

## Dimensions and Weights

Length (L) mm (in)	Width (W) mm (in)	Height (H) mm (in)	Dry kg (lb)	Wet kg (lb)
2510 (98.8)	1010 (39.8)	1640 (64.6)	1552 (3422)	1579 (3481)

Dry = With Lube Oil

Wet = With Lube Oil and Coolant

Ratings in accordance with ISO 8528, ISO 3046, IEC 60034, BS5000 and NEMA MG-1.22. Generator set pictured may include optional accessories.

## Engine Technical Data

<b>No. of Cylinders / Alignment:</b>	6 / In Line
<b>Cycle:</b>	4 Stroke
<b>Bore / Stroke:</b> mm (in)	105.0 (4.1)/135.0 (5.3)
<b>Induction:</b>	Turbocharged Air To Air Charge Cooled
<b>Cooling Method:</b>	Water
<b>Governing Type:</b>	Mechanical
<b>Governing Class:</b>	ISO 8528 G2
<b>Compression Ratio:</b>	16.0:1
<b>Displacement:</b> l (cu. in)	7.0 (427.8)
<b>Moment of Inertia:</b> kg m <sup>2</sup> (lb/in <sup>2</sup> )	1.26 (4306)
<b>Engine Electrical System:</b>	
- Voltage / Ground	12/Negative
- Battery Charger Amps	85
<b>Weight:</b> kg (lb)	
- Dry	788 (1737)
- Wet	822 (1812)

## Performance

	50 Hz	60 Hz
<b>Engine Speed:</b> rpm	1500	1800
<b>Gross Engine Power:</b> kW (hp)		
- Prime	167.6 (225.0)	180.5 (242.0)
- Standby	185.5 (249.0)	199.7 (268.0)
<b>BMEP:</b> kPa (psi)		
- Prime	1912.0 (277.3)	1715.0 (248.8)
- Standby	2116.0 (306.9)	1898.0 (275.3)

## Fuel System

<b>Fuel Filter Type:</b>	Replaceable Element			
<b>Recommended Fuel:</b>	Class A2 Diesel or BSEN590			
<b>Fuel Consumption:</b> l/hr (US gal/hr)				
	110%	100%	75%	50%
<b>Prime</b>	<b>Load</b>	<b>Load</b>	<b>Load</b>	<b>Load</b>
50 Hz	43.2 (11.4)	39.8 (10.5)	30.7 (8.1)	19.6 (5.2)
60 Hz	50.6 (13.4)	46.5 (12.3)	35.4 (9.4)	23.6 (6.2)
	100%	75%	50%	
<b>Standby</b>	<b>Load</b>	<b>Load</b>	<b>Load</b>	
50 Hz	43.2 (11.4)	33.9 (9.0)	22.2 (5.9)	
60 Hz	50.6 (13.4)	38.6 (10.2)	26.0 (6.9)	

(Based on diesel fuel with a specific gravity of 0.85 and conforming to BS2869, Class A2)

## Air Systems

	50 Hz	60 Hz
<b>Air Filter Type:</b>	Paper Element	
<b>Combustion Air Flow:</b> m <sup>3</sup> /min (cfm)		
- Prime	13.1 (463)	15.5 (546)
- Standby	13.9 (490)	16.4 (578)
<b>Max. Combustion Air Intake Restriction:</b> kPa (in H <sub>2</sub> O)	3.0 (12.0)	3.0 (12.0)

## Cooling System

	50 Hz	60 Hz
<b>Cooling System Capacity:</b> l (US gal)	27.0 (7.1)	27.0 (7.1)
<b>Water Pump Type:</b> Centrifugal		
<b>Heat Rejected to Water &amp; Lube Oil:</b>		
kW (Btu/min)	- Prime	74.2 (4220)
	- Standby	76.4 (4345)
		81.5 (4635)
		88.3 (5022)
<b>Heat Radiation to Room:</b> Heat radiated from engine and alternator		
kW (Btu/min)	- Prime	22.2 (1262)
	- Standby	24.6 (1399)
		30.3 (1723)
		34.1 (1939)
<b>Radiator Fan Load:</b> kW (hp)	5.0 (6.7)	10.0 (13.4)
<b>Radiator Cooling Airflow:</b> m <sup>3</sup> /min (cfm)	307.2 (10849)	378.0 (13349)
<b>External Restriction to Cooling Airflow:</b> Pa (in H <sub>2</sub> O)	125 (0.5)	125 (0.5)

Designed to operate in ambient conditions up to 50°C (122°F).  
Contact your local FG Wilson Dealer for power ratings at specific site conditions.

## Lubrication System

<b>Oil Filter Type:</b>	Spin-On, Full Flow
<b>Total Oil Capacity:</b> l (US gal)	16.5 (4.4)
<b>Oil Pan:</b> l (US gal)	14.9 (3.9)
<b>Oil Type:</b>	API CH4 / CI4 15W-40
<b>Oil Cooling Method:</b>	Water

## Exhaust System

	50 Hz	60 Hz
<b>Maximum Allowable Back Pressure:</b> kPa (in Hg)	6.0 (1.8)	6.0 (1.8)
<b>Exhaust Gas Flow:</b> m <sup>3</sup> /min (cfm)		
- Prime	31.6 (1114)	35.4 (1251)
- Standby	33.9 (1195)	38.4 (1354)
<b>Exhaust Gas Temperature:</b> °C (°F)		
- Prime	538 (1000)	485 (905)
- Standby	538 (1000)	485 (905)

Alternator Physical Data	
Manufactured for FG Wilson by:	Leroy Somer
Model:	MJB 250 MB4
No. of Bearings:	1
Insulation Class:	H
Winding Pitch Code:	2/3 - M0
Wires:	12
Ingress Protection Rating:	IP23
Excitation System:	SHUNT
AVR Model:	Mark V

Alternator Operating Data		
Overspeed: rpm	2250	
Voltage Regulation: (Steady state)	+/- 0.5%	
Wave Form NEMA = TIF:	50	
Wave Form IEC = THF:	2.0%	
Total Harmonic content LL/LN:	2.0%	
Radio Interference:	Suppression is in line with European Standard EN61000-6	
Radiant Heat: kW (Btu/min)		
- 50 Hz	12.2	(694)
- 60 Hz	14.6	(830)

Alternator Performance Data:	50 Hz				60 Hz			
	415/240V	400/230V 230/115V 200/115V	380/220V 220/110V	220/127V	480/277V 240/139V	380/220V 220/110V	240/120V 208/120V	440/254V 220/127V
Motor Starting Capability* kVA	260	241	217	291	237	170	194	212
Short Circuit Capacity %	-	-	-	-	-	-	-	-
Reactances: Per Unit								
Xd	3.040	3.270	3.620	2.700	3.020	4.716	4.034	3.617
X'd	0.260	0.280	0.310	0.230	0.259	0.402	0.343	0.308
X''d	0.104	0.112	0.124	0.092	0.104	0.161	0.138	0.123

Reactances shown are applicable to prime ratings.  
 \*Based on 30% voltage dip at 0.6 power factor.

Output Ratings Technical Data 50 Hz				
Voltage	Prime:		Standby:	
	kVA	kW	kVA	kW
415/240V	180.0	144.0	200.0	160.0
400/230V	180.0	144.0	200.0	160.0
380/220V	180.0	144.0	200.0	160.0
230/115V	180.0	144.0	200.0	160.0
220/127V	180.0	144.0	200.0	160.0
220/110V	180.0	144.0	200.0	160.0
200/115V	180.0	144.0	200.0	160.0

Output Ratings Technical Data 60 Hz				
Voltage	Prime:		Standby:	
	kVA	kW	kVA	kW
480/277V	200.0	160.0	218.8	175.0
220/127V	200.0	160.0	218.8	175.0
380/220V	195.0	156.0	215.0	172.0
240/120V	199.5	159.6	218.8	175.0
440/254V	200.0	160.0	218.8	175.0
220/110V	195.0	156.0	215.0	172.0
208/120V	199.5	159.6	218.8	175.0
240/139V	200.0	160.0	218.8	175.0

**Documentation**

A full set of operation and maintenance manuals and circuit wiring diagrams.

**Generator Set Standards**

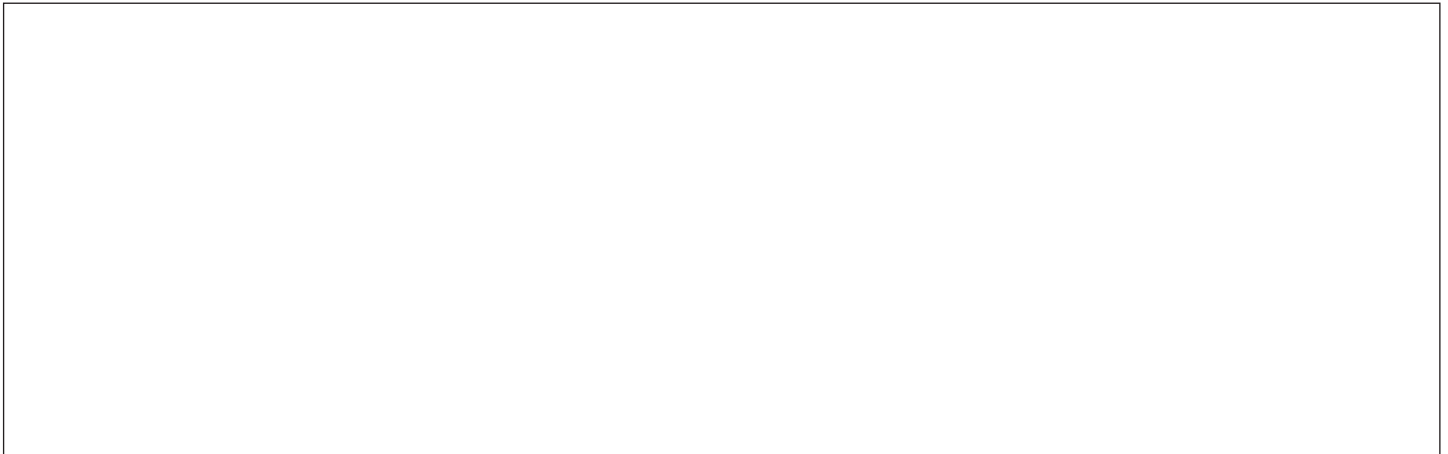
The equipment meets the following standards: BS5000, ISO 8528, ISO 3046, IEC 60034, NEMA MG-1.22.

FG Wilson is a fully accredited ISO 9001 company.

**Warranty**

All prime equipment carries a one year manufacturer's warranty. Standby equipment, limited to 500 running hours per year, has a two year manufacturer's warranty. For details on warranty cover please contact your local Dealer, or visit our website: [FGWilson.com](http://FGWilson.com).

**Dealer contact details:**



**FG Wilson manufactures product in the following locations:**

Northern Ireland • Brazil • China • India • USA

With headquarters in Northern Ireland, FG Wilson operates through a Global Dealer Network.

To contact your local Sales Office please visit the FG Wilson website at [www.FGWilson.com](http://www.FGWilson.com).

FG Wilson is a trading name of Caterpillar (NI) Limited.