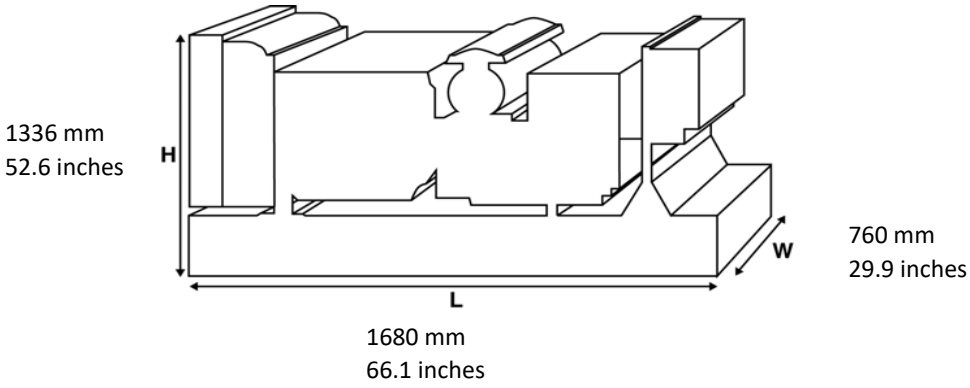


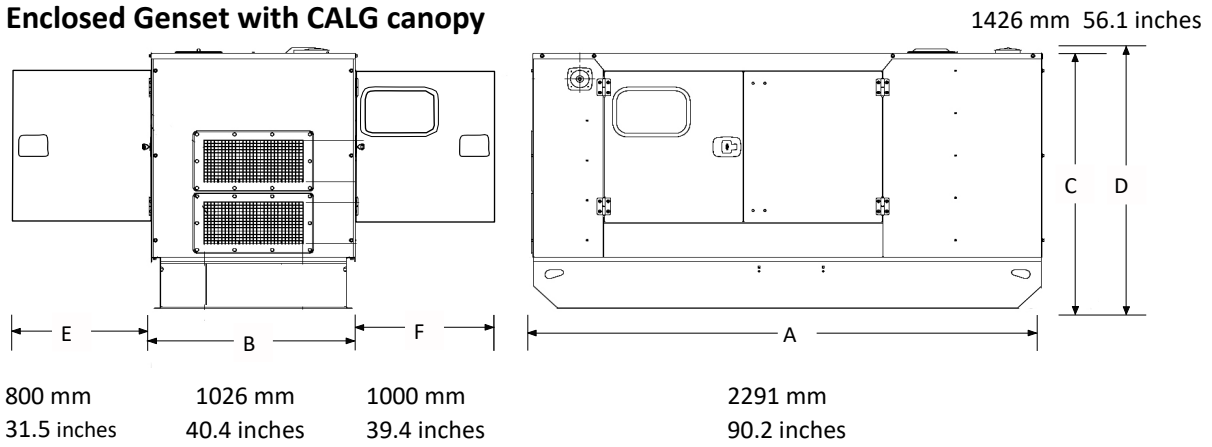
**FG Wilson P40-3S**

**Open Genset**



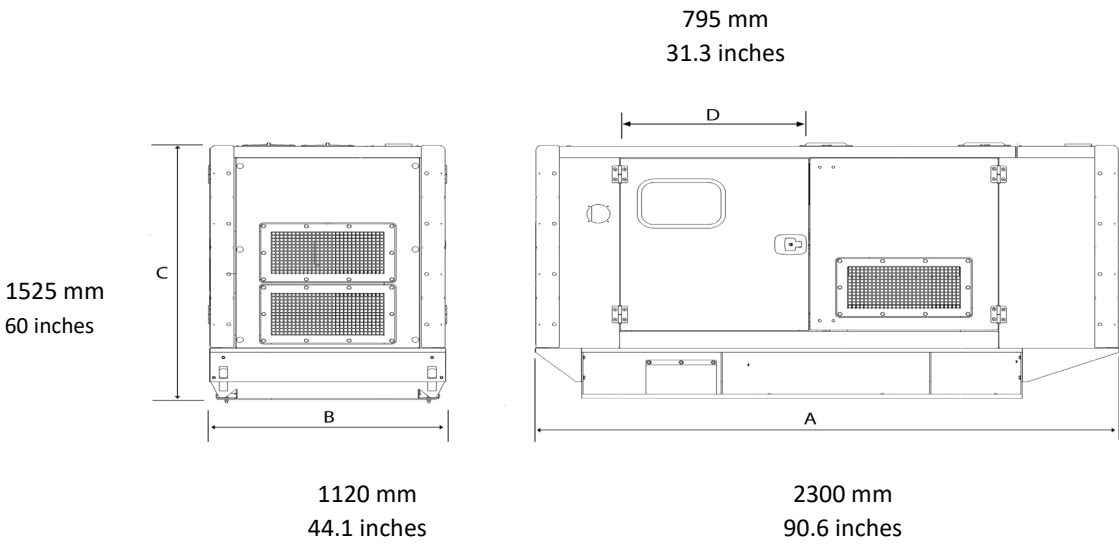
Weight with lube oil and coolant (no fuel)    779 kg    1717 lb

**Enclosed Genset with CALG canopy**



Weight with lube oil and coolant (no fuel)    994 kg    2191 lb

**Enclosed Genset with CAE canopy**



Weight with lube oil and coolant (no fuel)    1247 kg    2749 lb