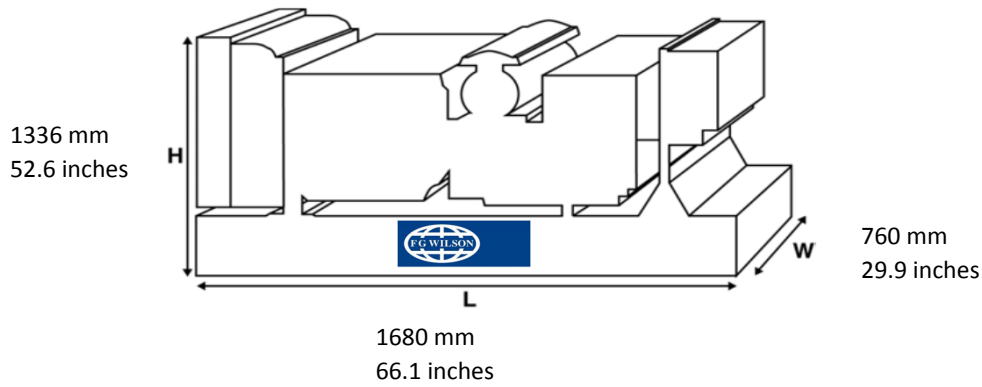


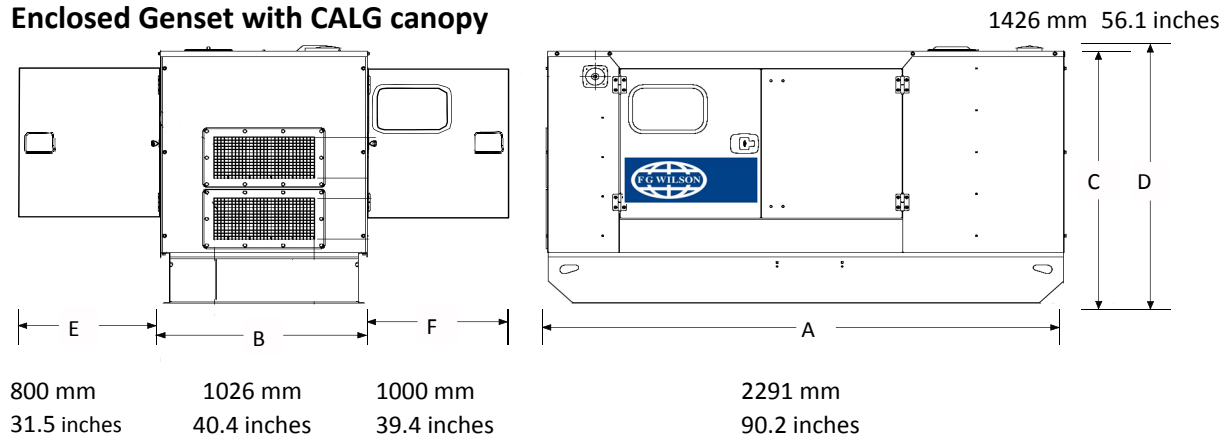
**FG Wilson P50-3**

**Open Genset**



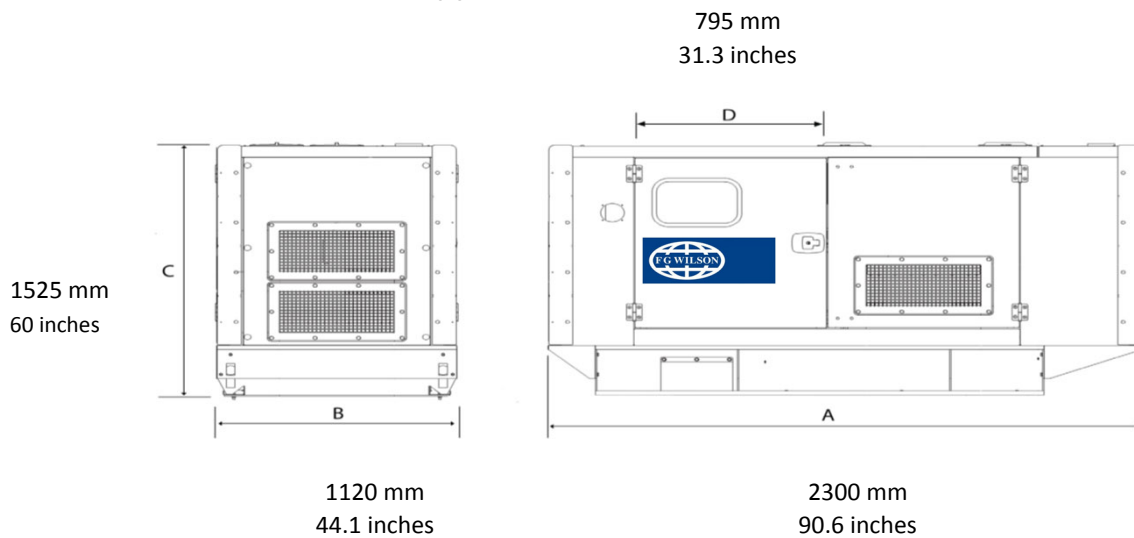
Weight with lube oil and coolant (no fuel)      810 kg      1786 lb

**Enclosed Genset with CALG canopy**



Weight with lube oil and coolant (no fuel)      1025 kg      2260 lb

**Enclosed Genset with CAE canopy**



Weight with lube oil and coolant (no fuel)      1191 kg      2626 lb