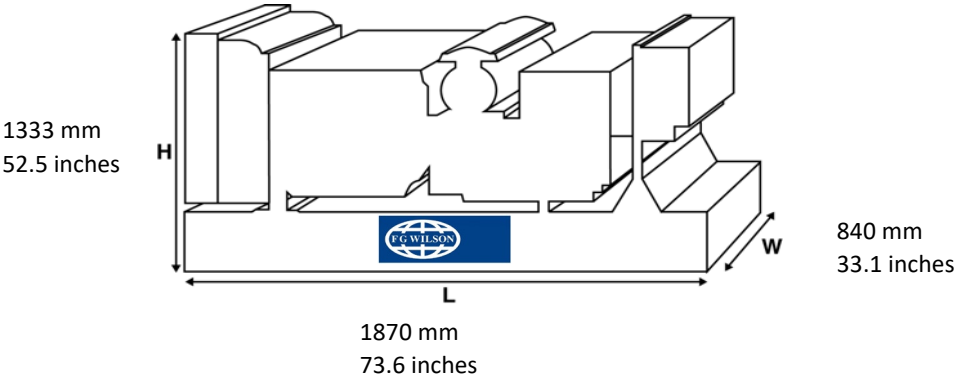


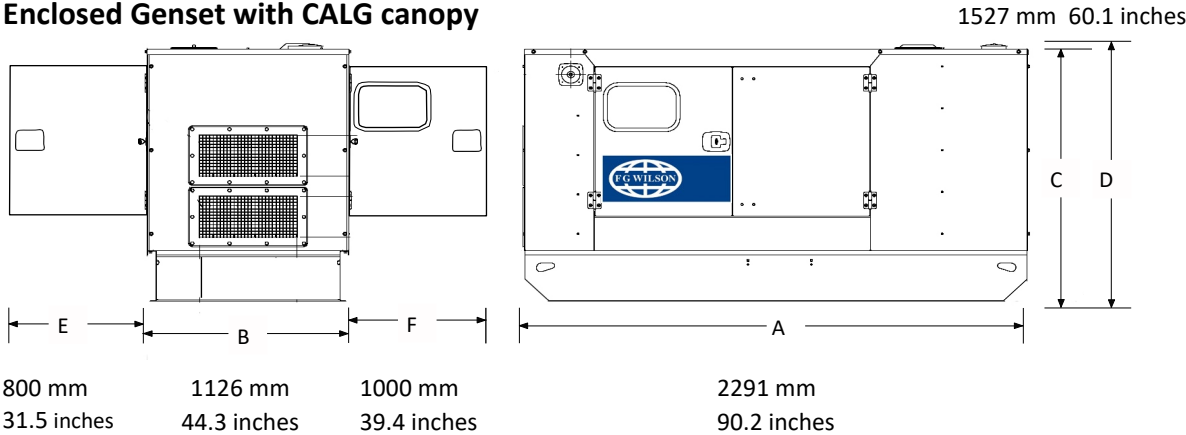
**FG Wilson P88-3**

**Open Genset**



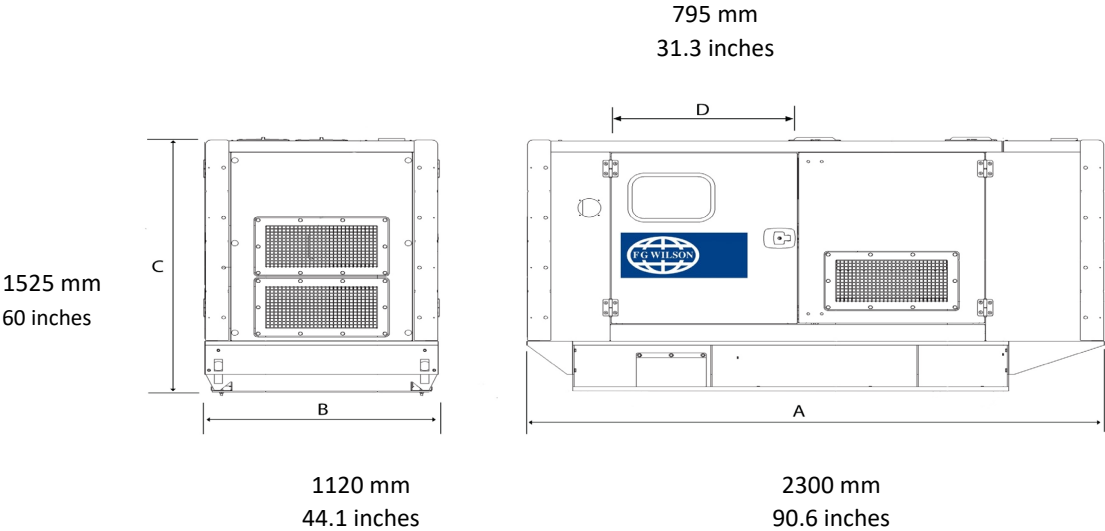
Weight with lube oil and coolant (no fuel) 1002 kg 2209 lb

**Enclosed Genset with CALG canopy**



Weight with lube oil and coolant (no fuel) 1202 kg 2650 lb

**Enclosed Genset with CAE canopy**



Weight with lube oil and coolant (no fuel) 1391 kg 3067 lb