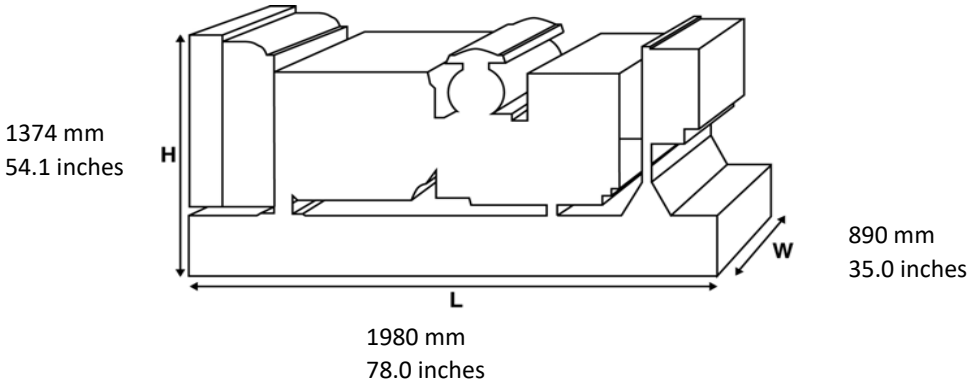


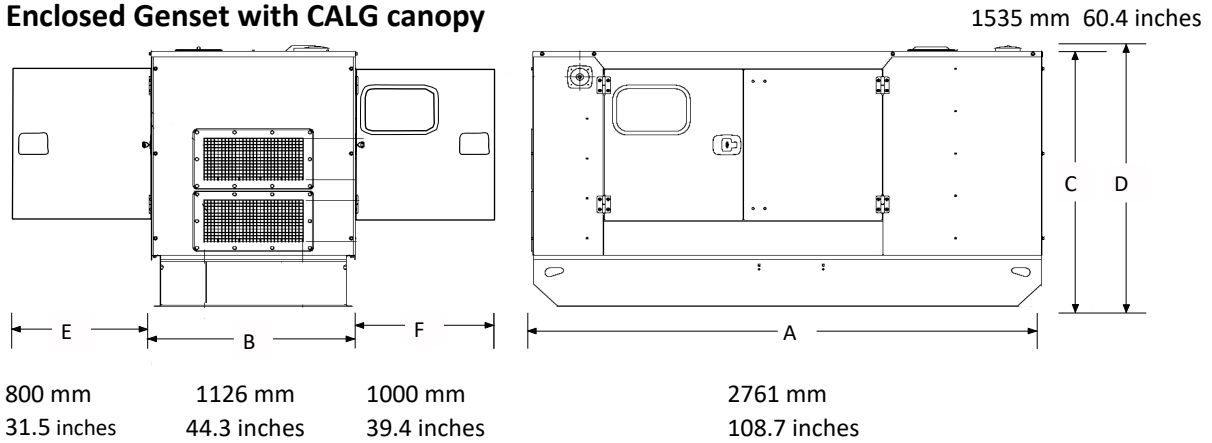
FG Wilson P90-3S

Open Genset



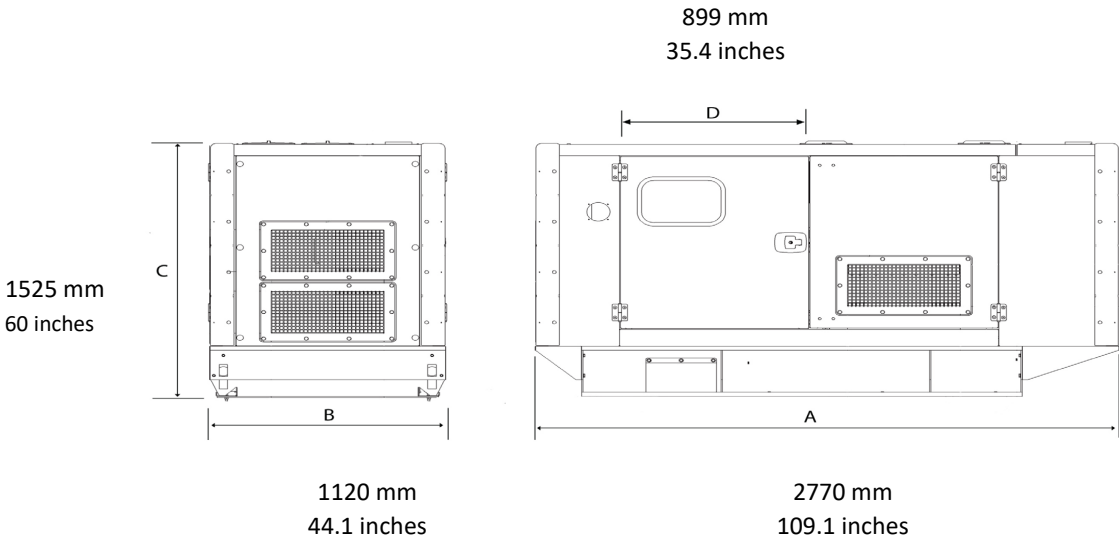
Weight with lube oil and coolant (no fuel) 1131 kg 2493 lb

Enclosed Genset with CALG canopy



Weight with lube oil and coolant (no fuel) 1398 kg 3082 lb

Enclosed Genset with CAE canopy



Weight with lube oil and coolant (no fuel) 1613 kg 3556 lb